

LIEBERT® GXT3 10000 VA T MODEL

Reliable On-Line Protection In A Compact Tower Package



Liebert® GXT3 is designed to deliver higher power capacities for applications with limited floor space

This true on-line double conversion UPS system is available in two different 10000 VA versions featuring an integrated maintenance bypass, as well as optional extended battery back up time.

Liebert GXT3 T230 is the standard version free of integrated isolation transformer which can be configured as either 1/1 or 3/1, providing increased flexibility.

The Liebert GXT3 range also offers the possibility of integrated full galvanic isolation with the Liebert GXT3 T220 which houses an output isolation transformer allowing it to be used at 110, 120 phase to neutral or 208, 220 phase to phase voltages, for dual input with phases shifted by 180 degrees.

Communications For Power Monitoring And Control:

Liebert GXT3 offers a variety of communications options providing flexible monitoring and control capabilities.

- Vertiv™ IntelliSlot™ web card providing SNMP and web-based monitoring and control of the UPS
- Vertiv MultiLink™ automated system shutdown software
- Vertiv Nform™ monitoring system
- Third-party monitoring systems.

Ideally suited for Mission-Critical Applications such as:

- LAN & WAN servers
- Network equipment
- IP telephony deployments
- Office telecommunications systems
- ISDN & frame relay applications
- Test and diagnostic equipment
- Micro Processor-controlled equipment
- Finance applications.

Flexibility:

- Automatic frequency detection
- User replaceable hot-swappable internal batteries
- Extended back up time with additional battery cabinets
- Vertiv IntelliSlot communications port
- Includes Windows-based configuration program
- Built-in USB communications for use with Vertiv MultiLink automated shutdown software
- Built-in closure signals
- Emergency power off (EPO)
- Parallelable up to three units (2+1).

Higher Availability:

- Wider input voltage window minimizes battery use
- Internal automatic and manual bypass
- Self-diagnostics.

Reduced Total Cost Of Ownership:

- Standard two-year warranty
- Compact footprint
- Batteries shielded from heat generating electronic components
- Battery cutoff voltage to prevent from overdischarge of batteries.



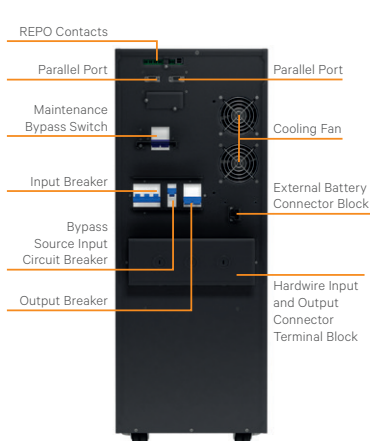
Liebert GXT3 10000 VA Tower

Liebert® GXT3 Specifications

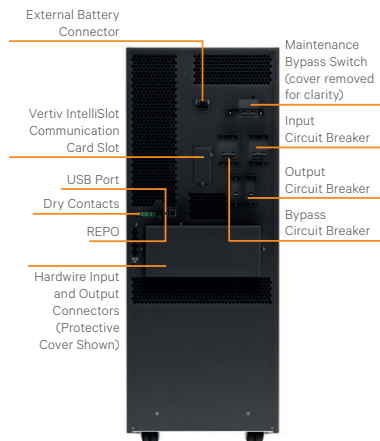
MODEL NUMBER	GXT3-10000T230	GXT3-10000T220
Power Rating	10000 VA/9000 W	
DIMENSIONS, W x D x H - mm		
Unit / Shipping	300 x 675 x 800 / 426 x 866 x 1062	
WEIGHT - KG		
Unit	105	140
INPUT AC PARAMETERS		
Voltage Range Without Battery Operation	176-280VAC (for 1/1) 304-485VAC (for 3/1)	100 - 185 ±5VAC (for 1/1)
Frequency Range	50 - 60Hz autoselection	
Input Socket	terminal block	
Output Sockets	terminal block	
Voltage	220/230/240VAC	208VAC
Waveform	Sinewave	
BATTERY PARAMETERS		
Type	HR 1234W F12	CSB HR1234R or Panasonic UP-RW1245
Quantity x Voltage	20 x 12V	
Recharge Time	3 hours to 90% capacity after full discharge with 100% load (Internal Batteries Only)	
ENVIRONMENTAL		
Operating Temperature	0 to 30 °C with 0.9 pf 30 to 40 °C with 0.8 pf - 15 to 50 °C	
Storage Temperature	- 15 to 50 °C	
Relative Humidity	0%RH to 95%RH, non-condensing	
Operating Altitude	Up to 1000m	
Audible Noise	< 55 dBA, at 1 meter from the rear < 50 dBA, at 1 meter from the front or sides	
Standards and Certifications	CE	UL 1778, c-UL
RFI/EMI	IEC/EN/AS 62040-2 2nd Ed (Cat 2 – Table 6)	FCC Part 15, Subpart B, Class A
Surge Immunity	EN61000-4-5, Level 3, Criteria A	IEC/EN 61000-4-5, ANSI C62.41 (for North America)
Transportation	ISTA Procedure 1A	ISTA Procedure 1B

Liebert GXT3 Battery Cabinet Specifications

MODEL NUMBER	GXT3-240TBATT CE
DIMENSIONS, W x D x H - mm	
Unit / Shipping	300 x 675 x 800 / 426 x 866 x 1062
WEIGHT - KG	
Unit / Shipping	110/140
BATTERIES	
Type	Valve-regulated, non-spillable, lead acid
Quantity x Voltage	2 x 20 x 12V
ENVIRONMENTAL	
Operating / Storage Temperature, °C	0 to 40/-15 to 40
Relative Humidity	0% to 95%, non-condensing
Maximum Operating Altitude	Up to 10000m (40°C)
STANDARDS AND CERTIFICATIONS	
Safety / Emissions	CE
Transportation	ISTA Procedure 1A



Liebert GXT3-10000T230



Liebert GXT3-10000T220

Tech Support

Always On! Our Commitment to your daily Business, provided by multi language Tech Support.

Toll-free 0080011554499
Toll +39 02 98250222
eoc@VertivCo.com