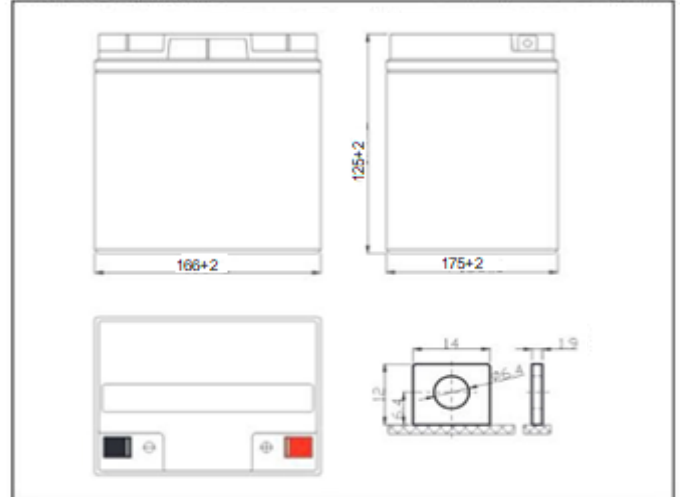


MODEL : NV 26-12



Plane Chart:

Unit:(mm) Terminal type:(L2)

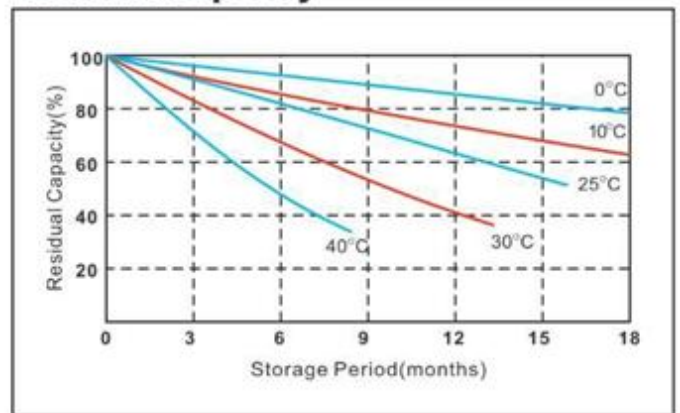


Parameter Chart:

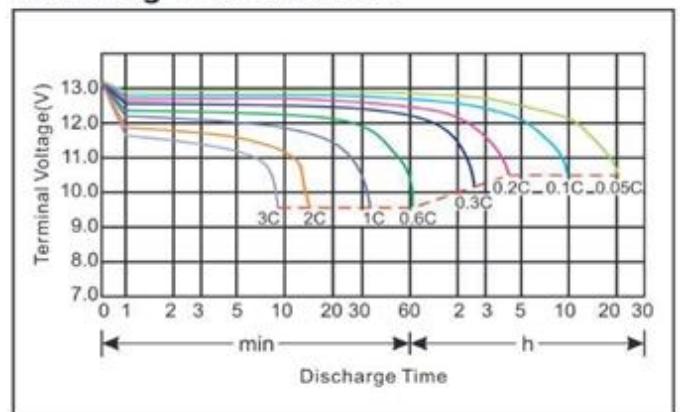
| VOLTS | | 12V |
|----------------------------------|-------------------------------------|---|
| Capacity(25°C) | 20 hours rate (1.3A) | 26Ah |
| Discharge Current Testing (25°C) | 20 I ₂₀ rate (26A,27min) | 32min |
| | 60 I ₃₀ rate (78A,7min) | 8min |
| Internal Resistance | Full Charged Battery 25°C | 10mΩ |
| Capacity Affected By Temperature | 40°C | 104% |
| | 25°C | 100% |
| | 0°C | 83% |
| | -15°C | 65% |
| Residual Capacity (25°C) | Capacity After 3 Months Storage | 91% |
| | Capacity After 6 Months Storage | 82% |
| | Capacity After 12 Months Storage | 65% |
| Charge (Constant Voltage) | Cycle (25°C) | Initial Charging Current Less Than 7.8A Voltage 14.5~14.9V |
| | Float (25°C) | Charge Voltage 13.6~13.8V |
| Weight (Approx) | | 8.25Kg |

★The above are average and data obtained from the first 3 charge/discharge cycles. These are not minimum values.

Residual Capacity

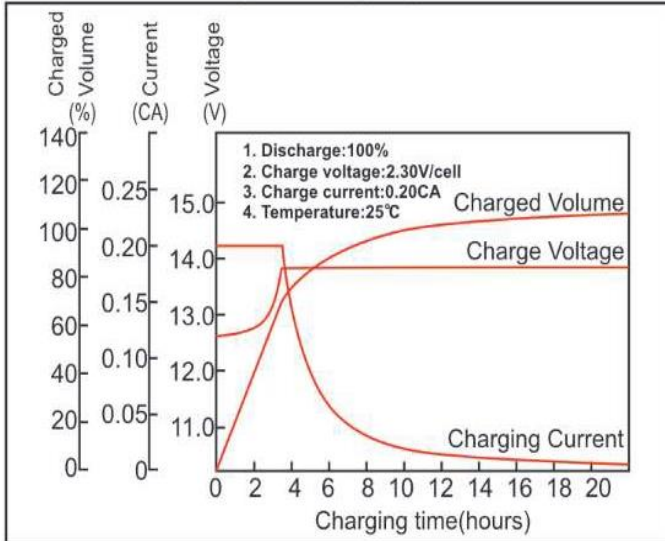


Discharge Current 25°C

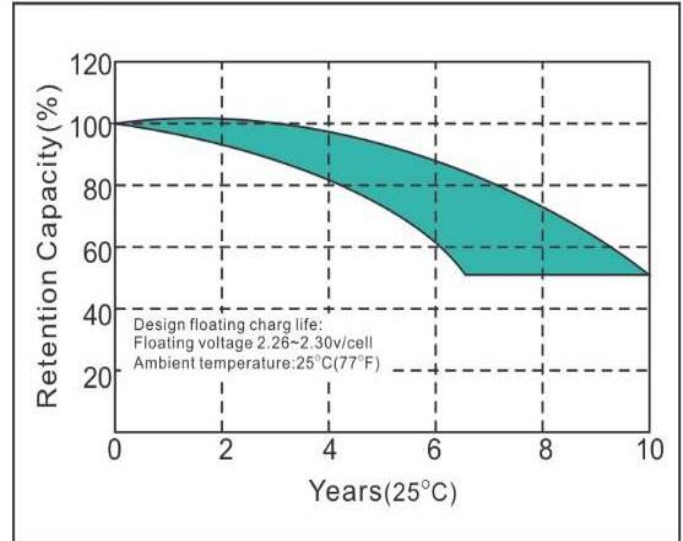


MODEL : NV 26-12

Constant voltage charging characteristics



Float Life



Constant Current Discharge Characteristics(A,25°C)

| F.V/Time | 5min | 10min | 15min | 30min | 60min | 2h | 3h | 5h | 8h | 10h | 20h |
|----------|------|-------|-------|-------|-------|-----|-----|-----|-----|-----|-----|
| 9.60V | 93.0 | 58.8 | 46.5 | 26.9 | 15.9 | 8.7 | 6.2 | 4.2 | 2.7 | 2.4 | 1.4 |
| 10.2V | 88.3 | 55.8 | 44.7 | 25.8 | 15.3 | 8.6 | 6.1 | 4.2 | 2.7 | 2.4 | 1.4 |
| 10.5V | 86.2 | 54.5 | 43.8 | 25.3 | 14.9 | 8.5 | 6.1 | 4.1 | 2.7 | 2.3 | 1.4 |
| 10.8V | 83.0 | 52.4 | 42.4 | 24.6 | 14.5 | 8.4 | 6.0 | 4.1 | 2.7 | 2.3 | 1.3 |

Constant Power Discharge Characteristic(Watt,25°C)

| F.V/Time | 10min | 10min | 15min | 30min | 60min | 2h | 3h | 5h | 8h | 10h | 20h |
|----------|--------|-------|-------|-------|-------|-------|------|------|------|------|------|
| 9.60V | 1038.4 | 663.0 | 530.4 | 309.1 | 184.6 | 101.7 | 73.7 | 50.4 | 32.6 | 27.4 | 16.6 |
| 10.2V | 986.3 | 629.3 | 509.0 | 295.8 | 176.5 | 100.2 | 72.7 | 49.7 | 32.4 | 27.2 | 16.5 |
| 10.5V | 961.9 | 614.0 | 498.8 | 289.7 | 172.4 | 99.3 | 72.0 | 49.3 | 32.2 | 27.2 | 16.4 |
| 10.8V | 927.2 | 591.6 | 483.5 | 281.5 | 168.3 | 98.1 | 71.3 | 48.7 | 31.8 | 27.2 | 16.3 |

Capacity Factors With Different Temperature

| Battery Type | | -20°C | -10°C | 0°C | 5°C | 10°C | 20°C | 25°C | 30°C | 40°C | 45°C |
|--------------|-----|-------|-------|-----|-----|------|------|------|------|------|------|
| GEL Battery | 12V | 50% | 70% | 83% | 85% | 90% | 98% | 100% | 102% | 104% | 105% |

★The above are average and data obtained from the first 3 charge/discharge cycles. These are not minimum values.